

深圳市亿金电子有限公司

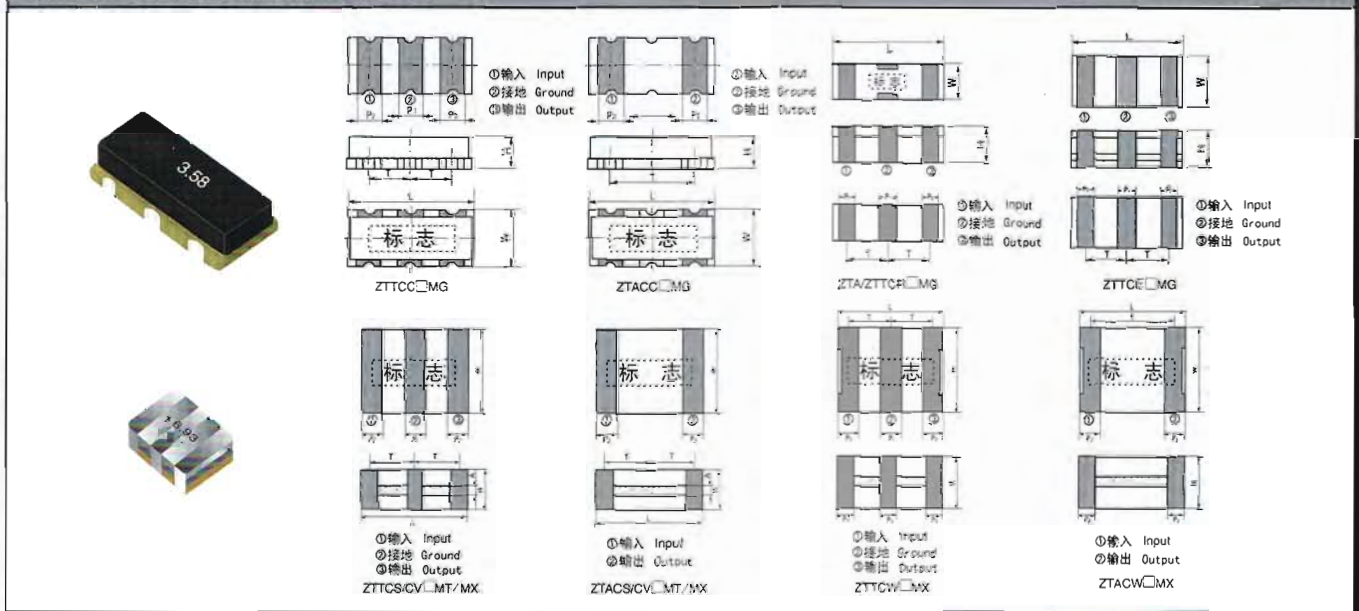
TEL: 0755-27876565 MSN: yijindz@msn.cn QQ:857950243

ZTACC/CR/CS/CV/CW □MG/MT/MX 系列片式陶瓷谐振器 ZTACC/CR/CS/CV/CW □MG/MT/MX Series of Ceramic Resonator(Chip type)	2.00-60.00MHz
ZTTCC/CR/CS/CV/CW □MG/MT/MX 系列片式陶瓷谐振器 ZTTCC/CR/CS/CV/CW □MG/MT/MX Series of Ceramic Resonator(Chip type)	2.00-60.00MHz

技术特性 TECHNICAL CHARACTERISTICS

型号 Part Number	频率范围 Frequency Range (MHz)	频率精度 Frequency Accuracy (%)	温度稳定性 Stability in Temperature (-20~+80°C)(%)	工作温度 Operating Temperature (°C)	老化率(10年) Aging For Ten Years (%)
ZTACC□MG ZTTCC□MG	2.00-8.00	±0.5	±0.3	-25~85	±0.3
ZTACR□MG ZTTCR□MG	4.00-8.00	±0.5	±0.3	-25~85	±0.3
ZTTCE□MG	8.00-12.00	±0.5	±0.3	-25~85	±0.3
ZTACS□MT ZTTCS□MT	6.00-13.00	±0.5	±0.4	-25~85	±0.3
ZTACV□MT ZTTCV□MT	8.00-13.00	±0.5	±0.4	-25~85	±0.3
ZTACS□MX ZTTCS□MX	13.01-60.00	±0.5	±0.3	-25~85	±0.3
ZTACV□MX ZTTCV□MX	16.00-60.00	±0.5	±0.3	-25~85	±0.3
ZTACW□MX ZTTCW□MX	20.00-60.00	±0.5	±0.3	-25~85	±0.3

外型与尺寸 FIGURE AND DIMENSIONS



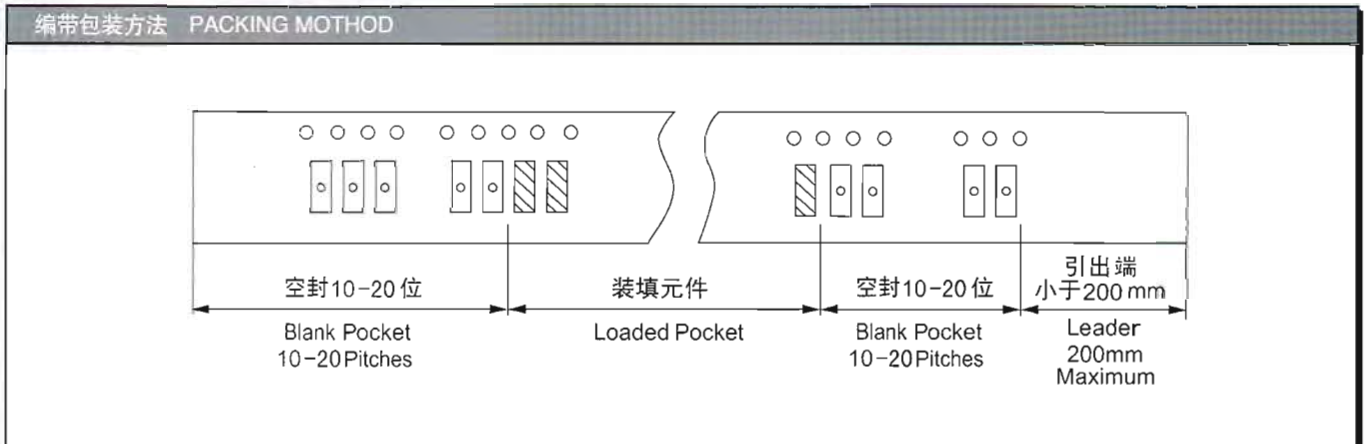
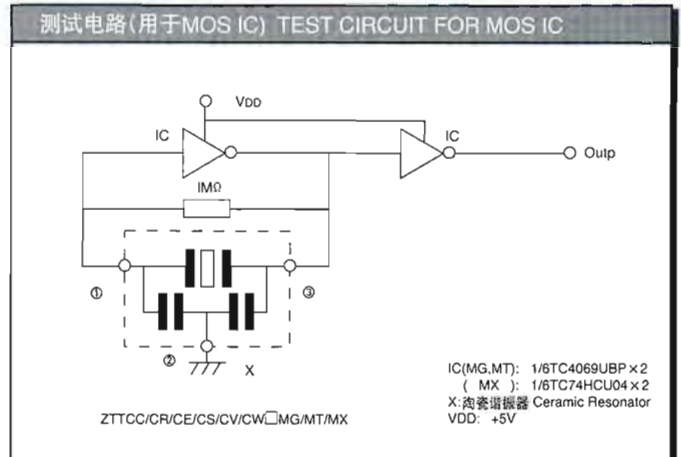
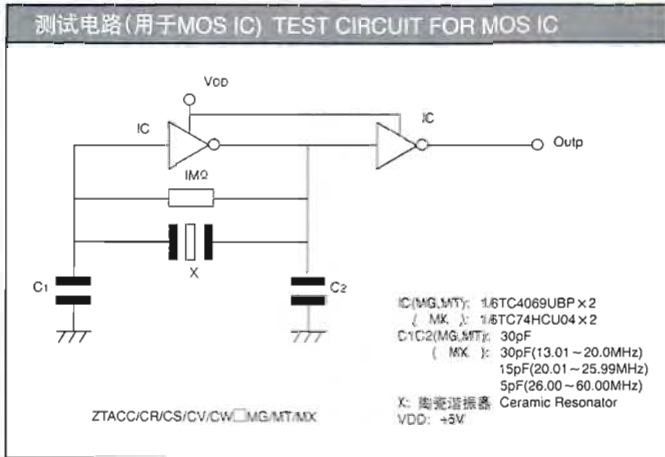
型号 Part Number	外型尺寸 标记 Code	尺寸 Dimensions(mm)					
		L	W	H	P1	P2	T
ZTACC□MG ZTTCC□MG		7.4±0.2	3.4±0.2	1.8±0.2	1.2±0.2	1.2±0.2	5.0±0.2 2.5±0.2
ZTACR□MG ZTTCR□MG		4.5±0.2	2.0±0.2	1.2max	0.8±0.2	0.8±0.2	1.5±0.2
ZTTCE□MG		3.2±0.2	1.3±0.2	1.0max	0.4±0.2	1.2±0.2	±0.3
ZTACS□MT/MX ZTTCS□MT/MX		4.7±0.2	4.1±0.2	(1.2+A)±0.2	1.0±0.2	0.8±0.2	3.9±0.2 1.95±0.2
ZTACV□MT/MX ZTTCV□MT/MX		3.7±0.2	3.1±0.2	(1.0+A)±0.2	0.9±0.2	0.7±0.2	3.0±0.2 1.5±0.2
ZTACW□MX ZTTCW□MX		2.5±0.2	2.0±0.2	1.2max	0.5±0.2	0.4±0.2	2.0±0.2 1.0±0.2

注:其中A为振子厚度,随着频率不同而不同,其范围为:0.1-0.7mm Note:A stands for thickness of the ceramic element, which varies with the frequency. The range of the thickness is 0.1 to 0.7mm
ZTA系列产品无中间(接地)电极 No middle terminal for ZTA series

深圳市亿金电子有限公司

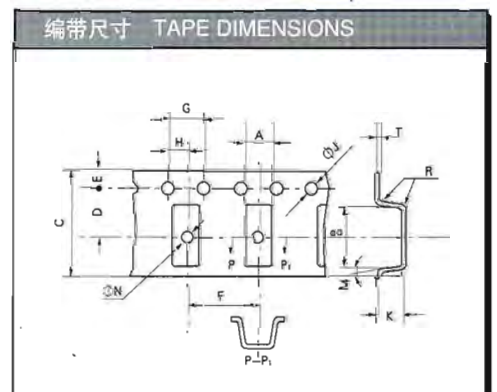
TEL:0755-27876565 MSN: yijindz@msn.cn QQ:857950243

<http://www.yijindz.com>



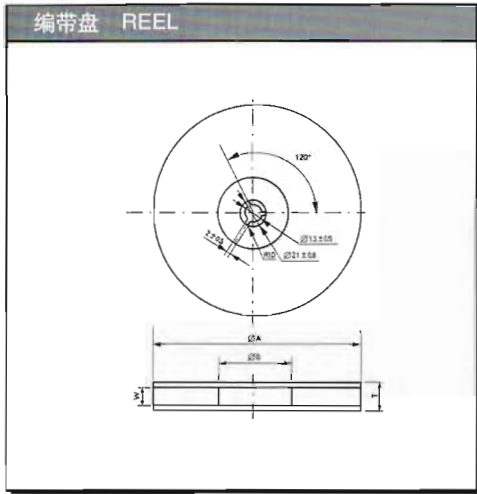
编带尺寸: TAPE DIMENSIONS(mm)

尺寸 标记 公差 型号 Part Number	A ±0.2	B ±0.2	C ±0.3	D ±0.1	E ±0.1	F ±0.1	G ±0.1	H ±0.1	∅J ±0.1	∅N ±0.1	M max	R max	K ±0.2	T ±0.1
ZTACC/MG ZTCC/MG	3.8	7.8	16.0	7.5	1.75	8.0	4.0	2.0	1.5	1.6	10°	0.3	2.1	0.3
ZTACR/MG ZTTCR/MG	2.2	4.7	12.0	5.5	1.75	4.0	4.0	2.0	1.6	1.6	3°	0.3	1.3	0.3
ZTTCE/MG	1.5	3.4	8.0	3.5	1.75	4.0	4.0	2.0	1.6	1.1	3°	0.3	1.3	0.2
ZTACS/MT/MX ZTTCSS/MT/MX	5.0	4.4	12.0	5.5	1.75	8.0	4.0	2.0	1.5	1.6	10°	0.3	1.8	0.3
ZTACV/MT/MX ZTTCV/MT/MX	3.4	4.0	12.0	5.5	1.75	8.0	4.0	2.0	1.5	1.6	10°	0.3	1.3	0.3
ZTACW/MX ZTTCW/MX	2.2	2.8	8.0	3.5	1.75	4.0	4.0	2.0	1.6	1.1	3°	0.3	1.3	0.2



深圳市亿金电子有限公司

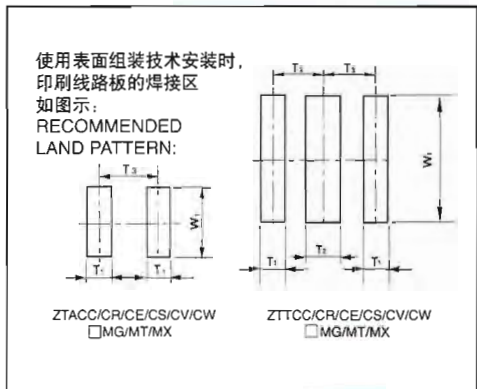
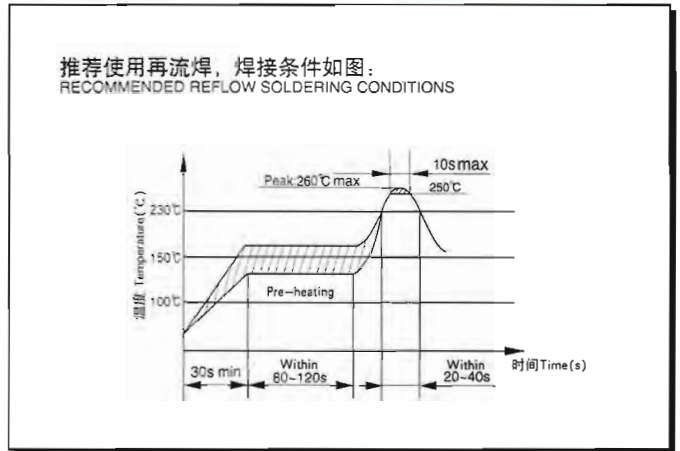
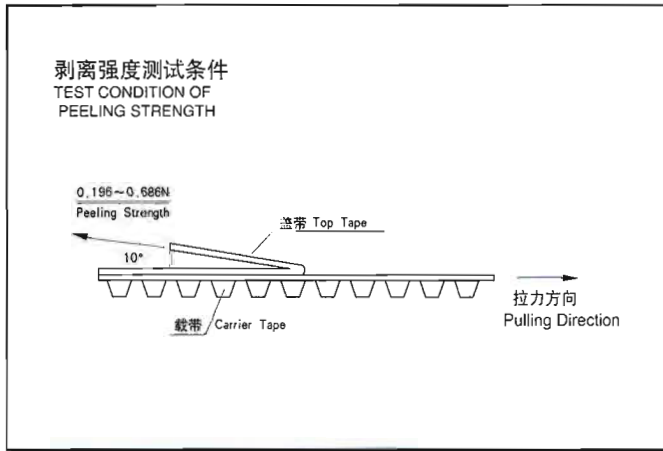
TEL:0755-27876565 <http://www.yijindz.com> QQ:857950243



尺寸 DIMENSIONS(mm):

ØA	ØB	W	T	包装元件数 Pieces per reel	适用载带宽度 Carrier tape size
179±2	60 typ	8.4min	14.0max	3000 typ	8
179±2	60 typ	12.4min	19.4max	3000 typ	12
179±2	60 typ	12.4min	19.4max	1000 typ	12
179±2	60 typ	16.4min	22.4max	1000 typ	16
330±3	80 min	12.4min	19.4max	4000 typ	12
330±3	80 min	16.4min	22.4max	4000 typ	16

typ---典型值 (Typical Value)



型号 Part Number	尺寸 标记 Size & Code			
	T ₁	T ₂	T ₃	W ₁
ZTACC□MG ZTCC□MG	1.5±0.3	1.7±0.3	5.0±0.3 2.5±0.3	4.0±0.3
ZTACR□MG ZTTCR□MG	0.8±0.2	0.8±0.2	3.0±0.2 1.5±0.2	2.6±0.2
ZTTC□MG	0.4±0.2	0.4±0.2	1.2±0.2	2.0±0.2
ZTACS□MT/MX ZTTC□MT/MX	0.8±0.2	1.3±0.2	3.9±0.2 1.95±0.2	5.1±0.2
ZTACV□MT/MX ZTTCV□MT/MX	0.7±0.2	1.0±0.2	3.0±0.2 1.5±0.2	4.1±0.2
ZTACW□MX ZTTCW□MX	0.5±0.2	0.5±0.2	2.0±0.2 1.0±0.2	2.6±0.2