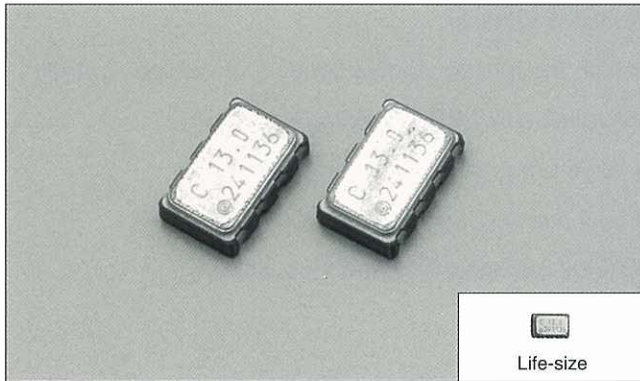


CSX-532T

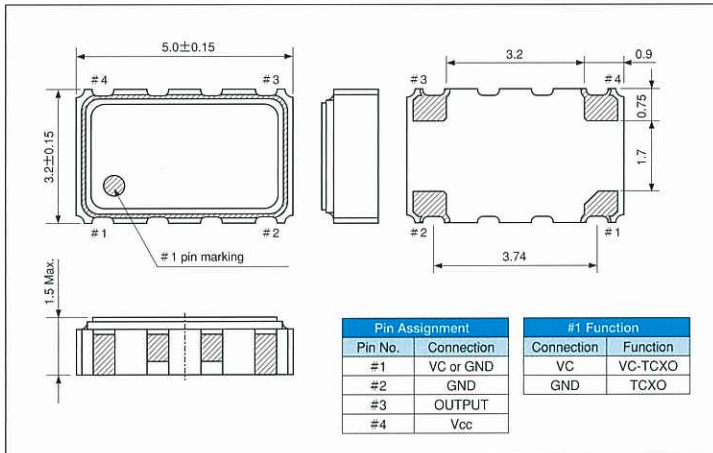
2000pcs/reel



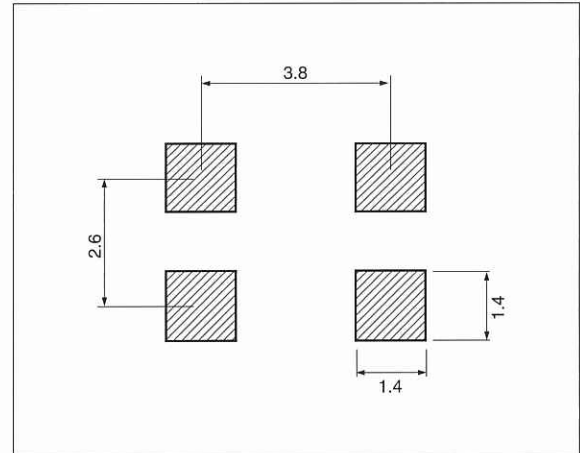
FEATURES

- With the function of frequency and voltage control .
- Available in 2.4V low voltage drive.
- Low current consumption.
- Automatic mounting and reflowable type.
- Most appropriate for cellular phone, GPS and other equipment with telecommunication devices.

DIMENSION [mm]



SOLDER PAD LAYOUT [mm]



STANDARD SPECIFICATIONS

Item	Model	CSX-532T		
Nominal Frequency	f ₀	12.8MHz , 13.0MHz	16.8MHz , 19.2MHz , 19.68MHz , 20.0MHz	25.0MHz , 26.0MHz
Frequency Stability	Δf/f ₀	±2.5ppm / (-30°C ~ +75°C)		
Operating Temperature Range	T _{OPR}	-30°C ~ +75°C		
Storage Temperature Range	T _{STR}	-40°C ~ +85°C		
Supply Voltage	V _{dd}	2.4V ~ 3.0V		
Frequency adjustment range	Δf _c	±8ppm Min. / (V _{cont} =V _{dd} /2±1.0V)		
Current consumption	I _{dd}	1.0mA Max.	1.2mA Max.	1.5mA Max.
Output Voltage	V _{OUT}	0.8Vp-p Min. (10kΩ/10pF)		
Start-up time	T _{ST}	5.0 msec Max.	3.5 msec Max.	
Aging (first year)	F _A	±1.0ppm / year Max.		